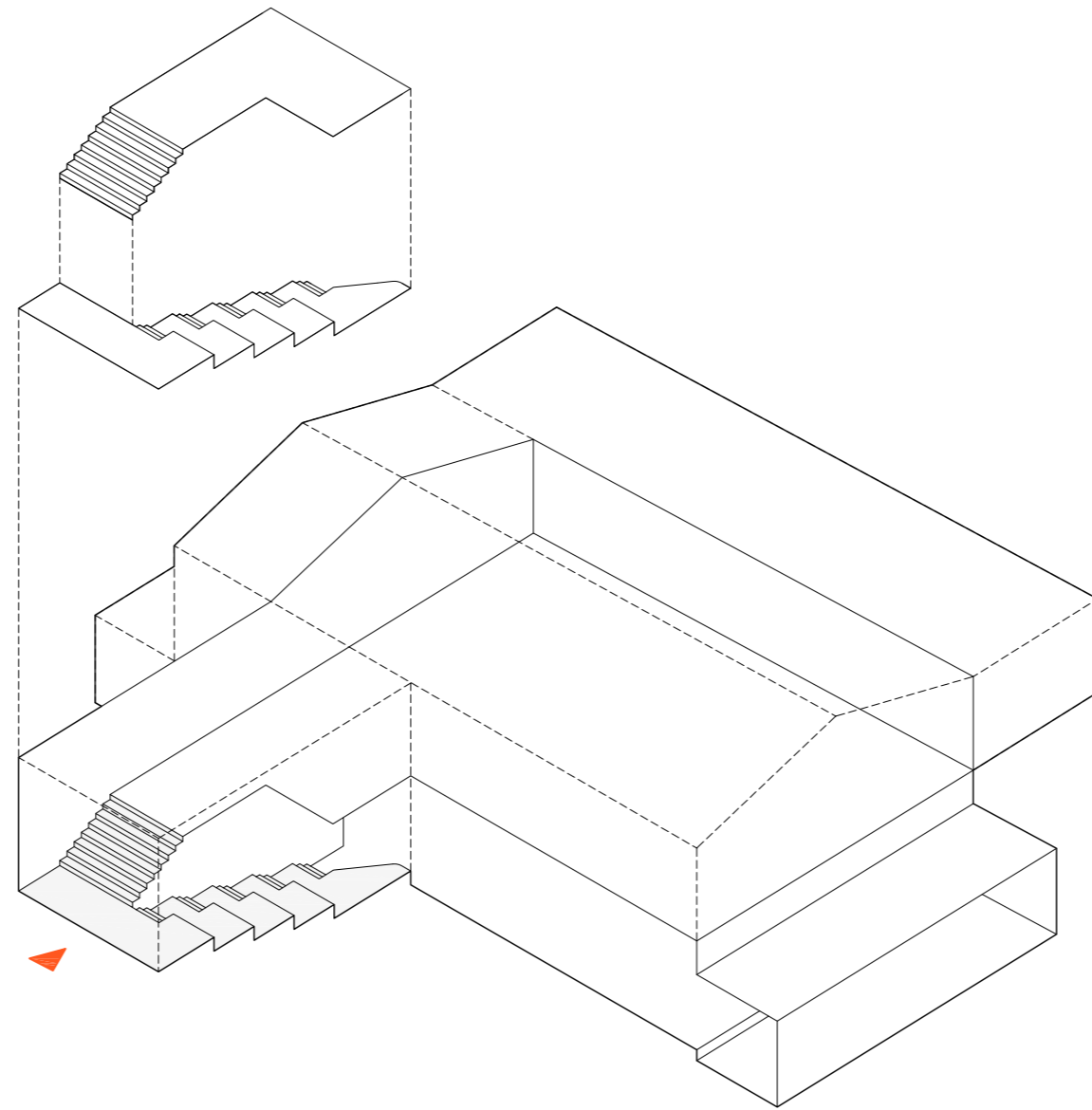
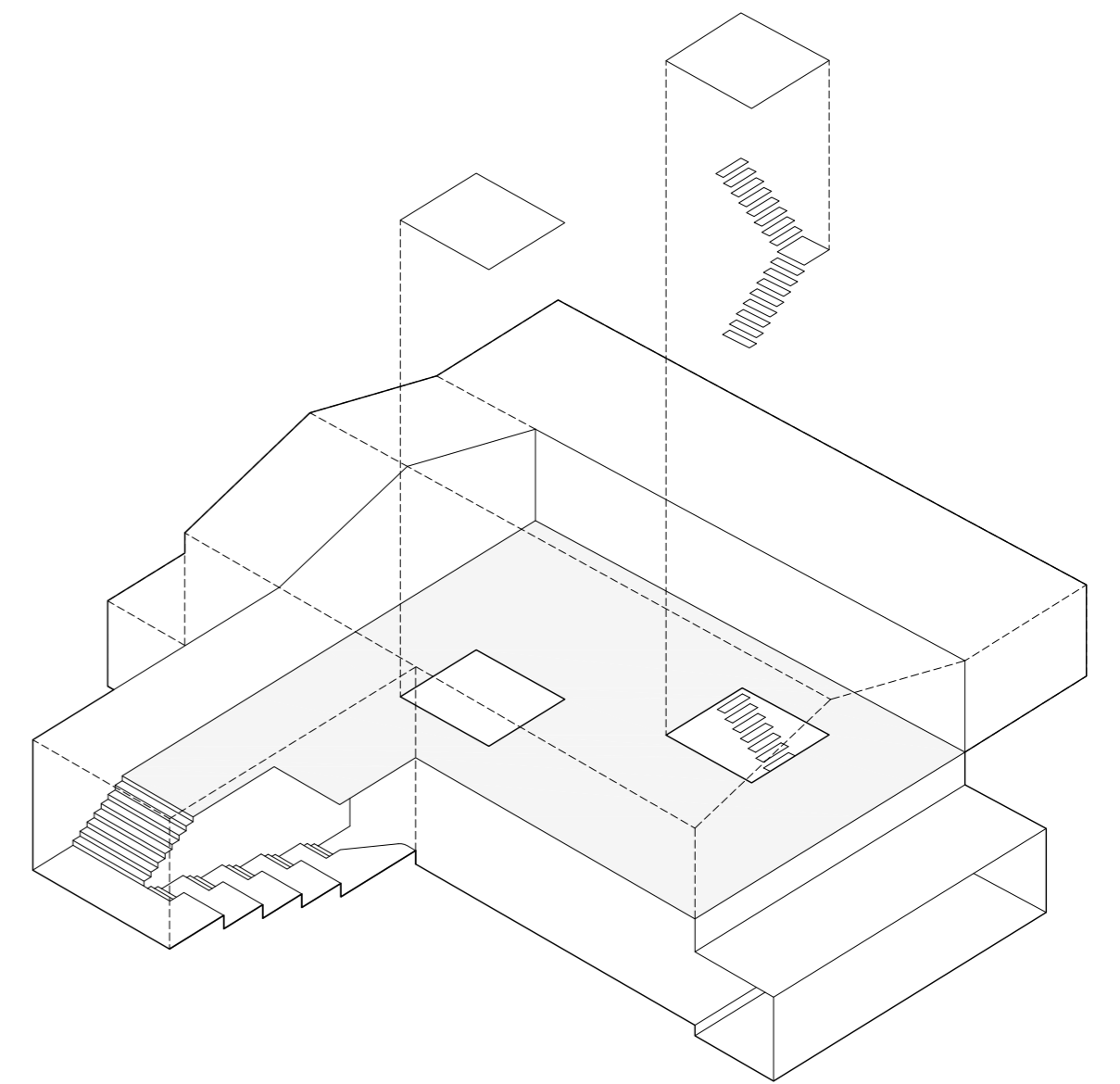


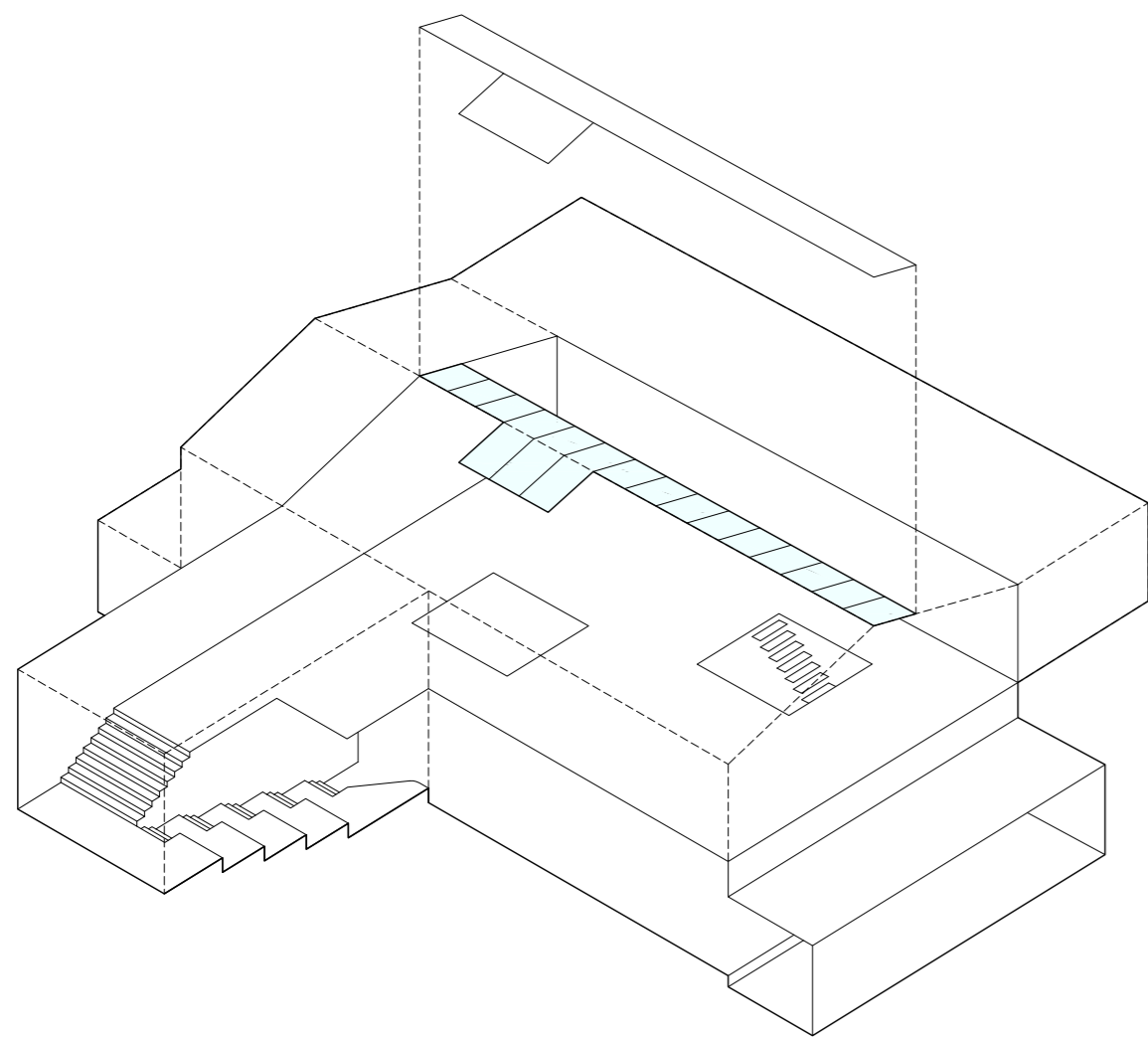
01
Current state
Old garage



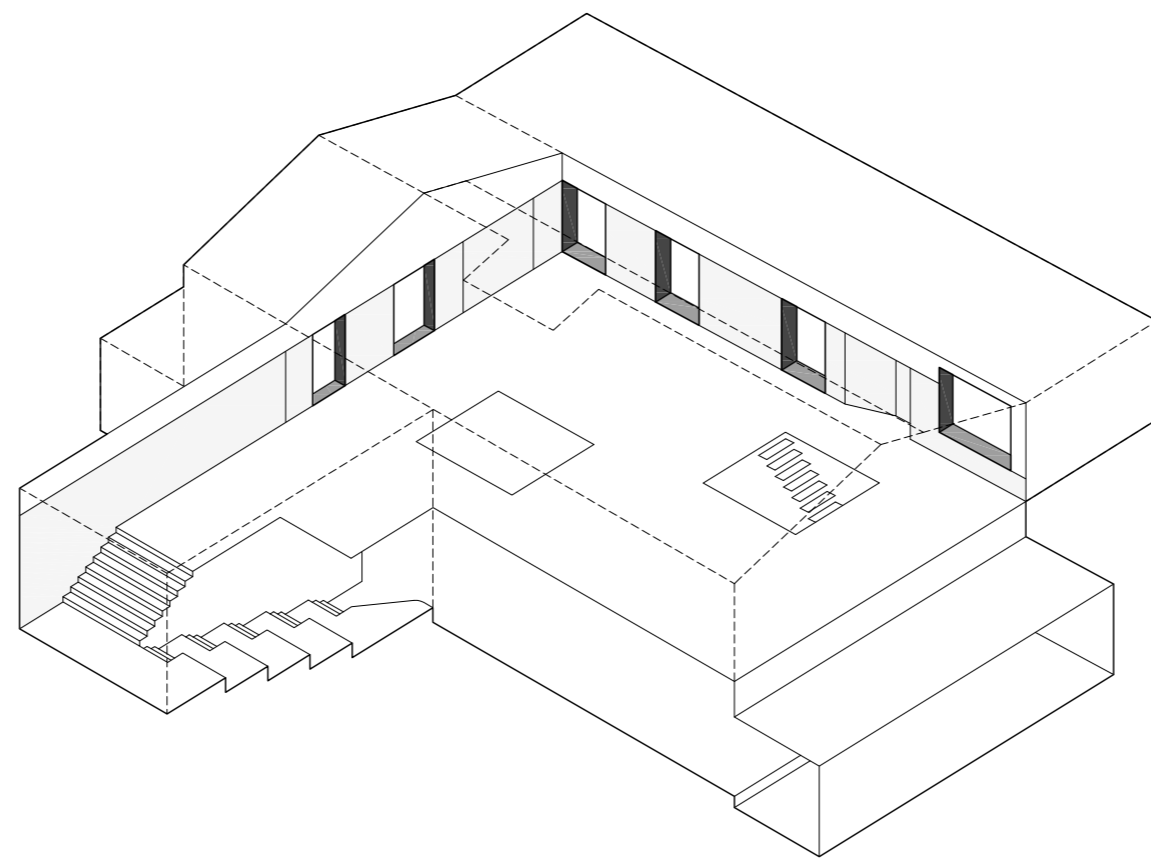
02
Entrance hall
Stairs and grandstand area



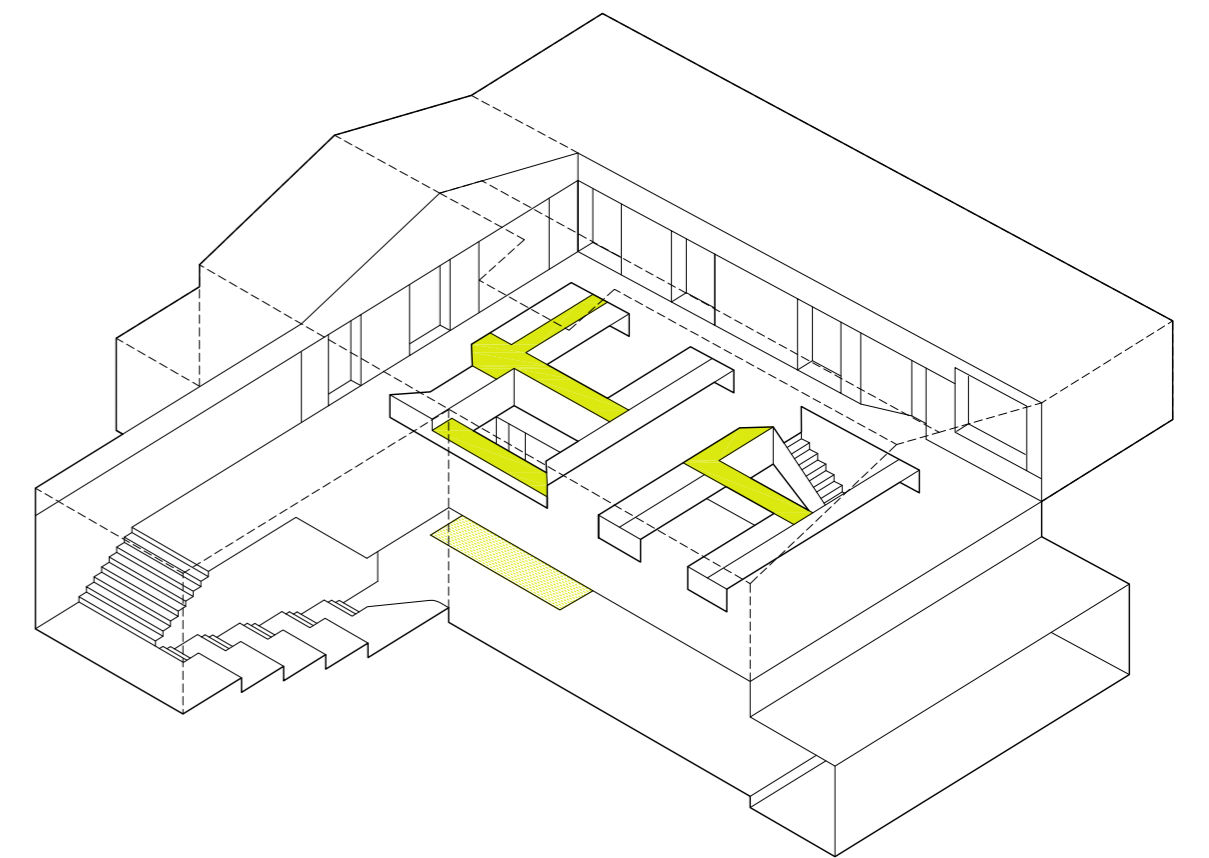
03
Patios
Interior staircase



04
North facing skylight
Opening connected to patio



05
Offices
Interior windows



06
Hybrid spatial entity
patio+table+partition+garden+stairs