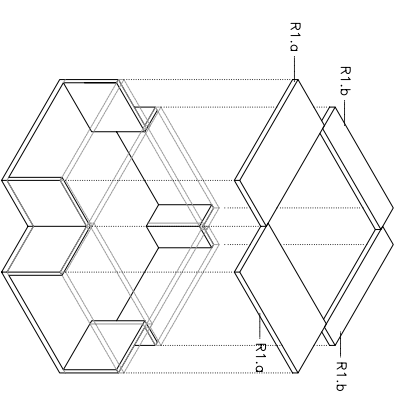
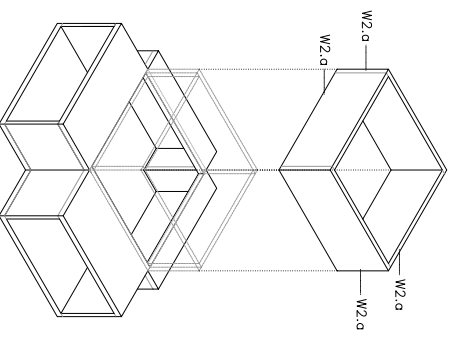


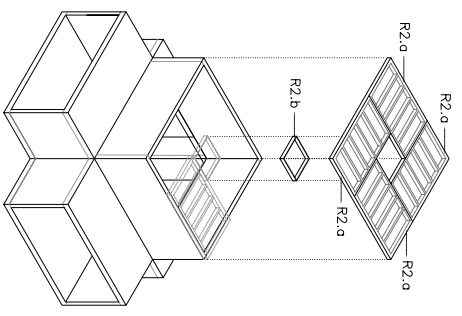
1. walls W1



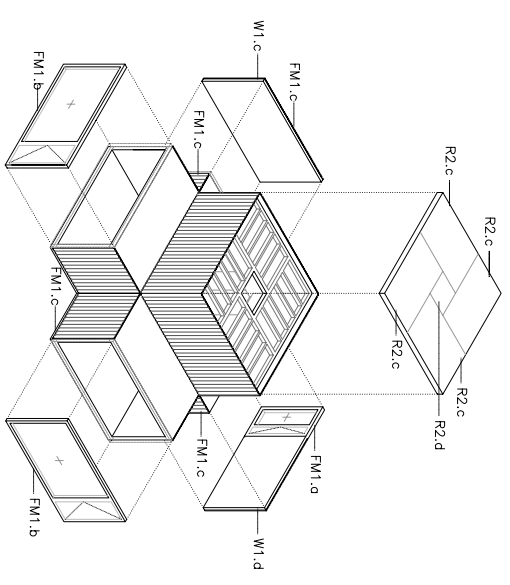
2. roofs R1



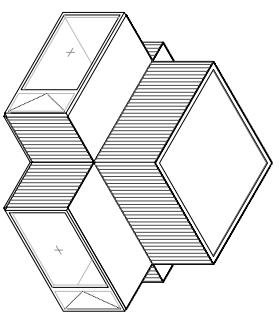
3. walls W2



4. roofs R2



5. finish materials



* final result